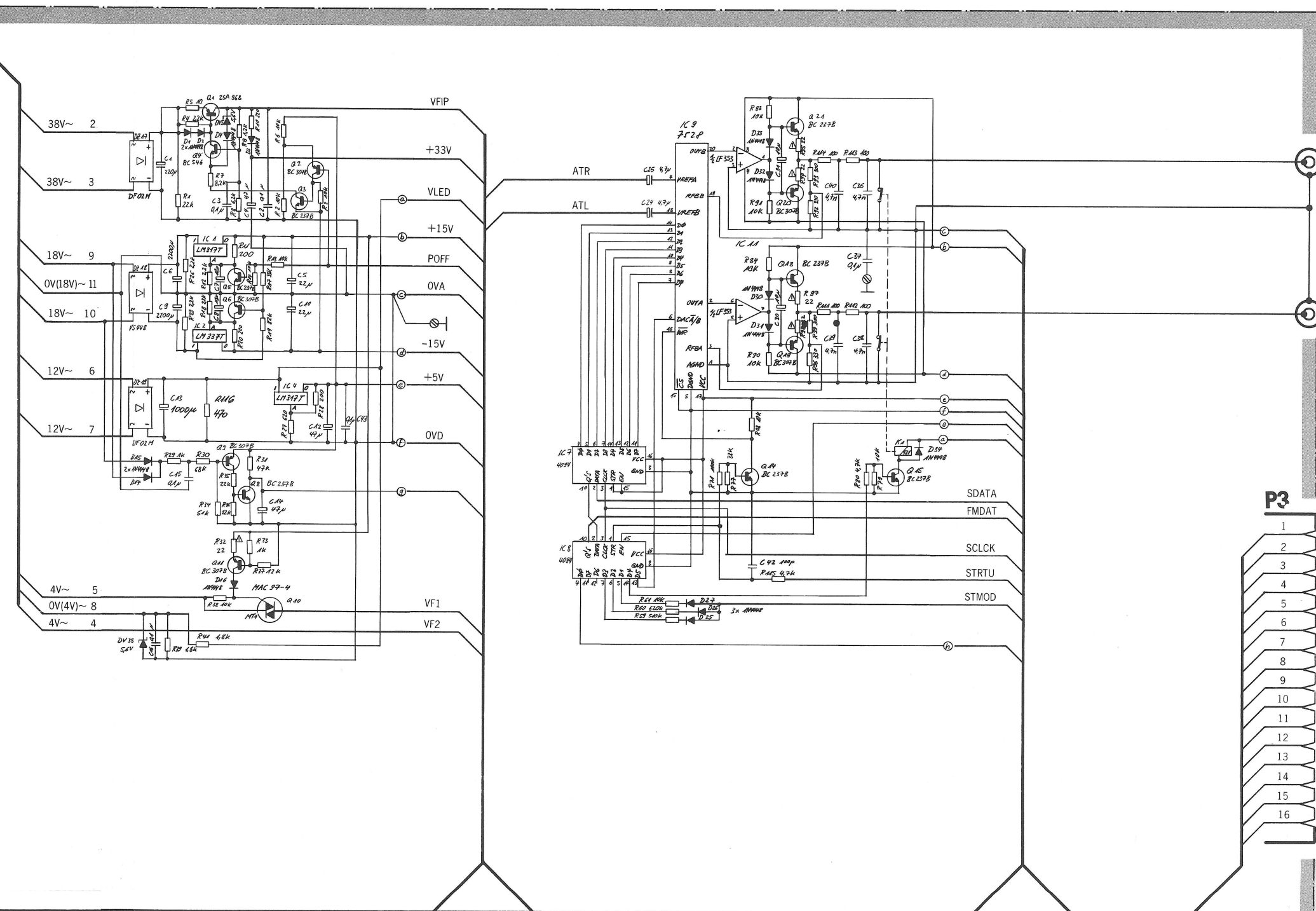
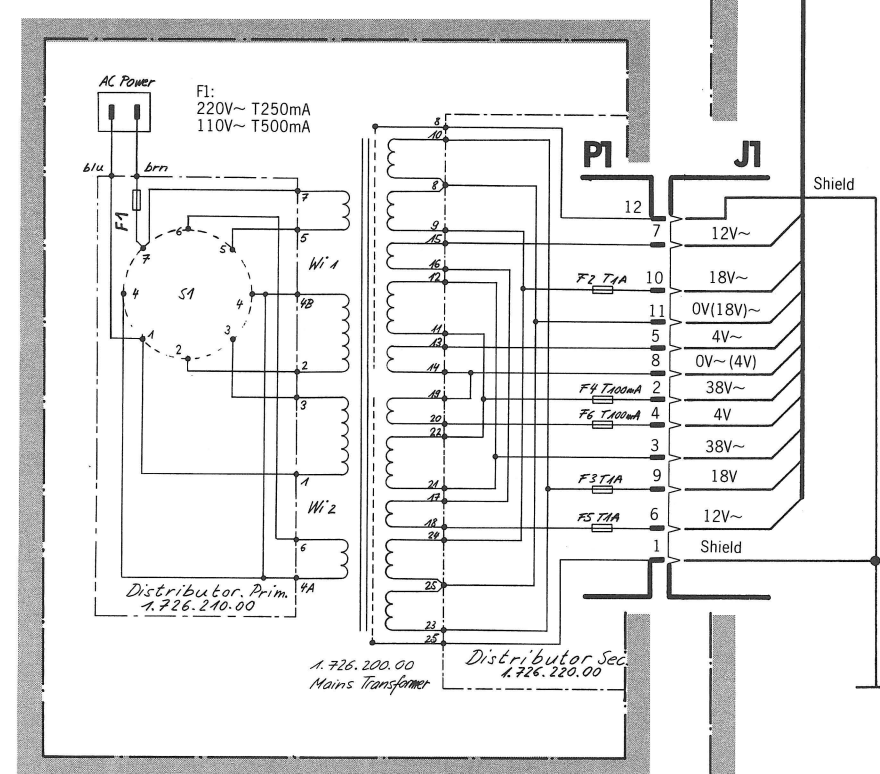


**Handling MOS components**  
MOS components are extremely sensitive to static charges. Please observe therefore the following regulations:  
1. Components sensitive to static charges are stored and shipped in protective package. On the packages you find the subsequent symbol.  
2. Avoid any contact of connector pins with foam packages and foils made of styro-por or similar chargeable package material.  
3. Don't touch the connector pins when your wrist is not grounded with a conducting wristlet.  
4. Use a grounded conducting mat when working with sensitive components.  
5. Never plug or unplug PCBs containing sensitive components when the machine is switched on.

Subject to change  
Copyright by WILLI STUDER AG  
Printed in Switzerland  
Order No.10.30.0840 (Ed. 0188)

MAINS TRANSFORMER 1.726.200.00



L  
AUDIO OUTPUTS  
R

- P3
- 1 SYEN
  - 2 +33V
  - 3 SDATA
  - 4 -15V
  - 5 SCLK
  - 6 +15V
  - 7 STRTU
  - 8 OVA
  - 9 FMDAT
  - 10 OVD
  - 11 STEREO
  - 12 MPX
  - 13 STMOD
  - 14 ATL
  - 15 USS
  - 16 ATR

- P4
- 1
  - 2
  - 3
  - 4
  - 5 SDATA
  - 6 SCLK
  - 7 CK21
  - 8 CK22
  - 9 DAT2
  - 10 OVA
  - 11 MPX
  - 12 OVD
  - 13 +5V
  - 14 -15V
  - 15 +15V

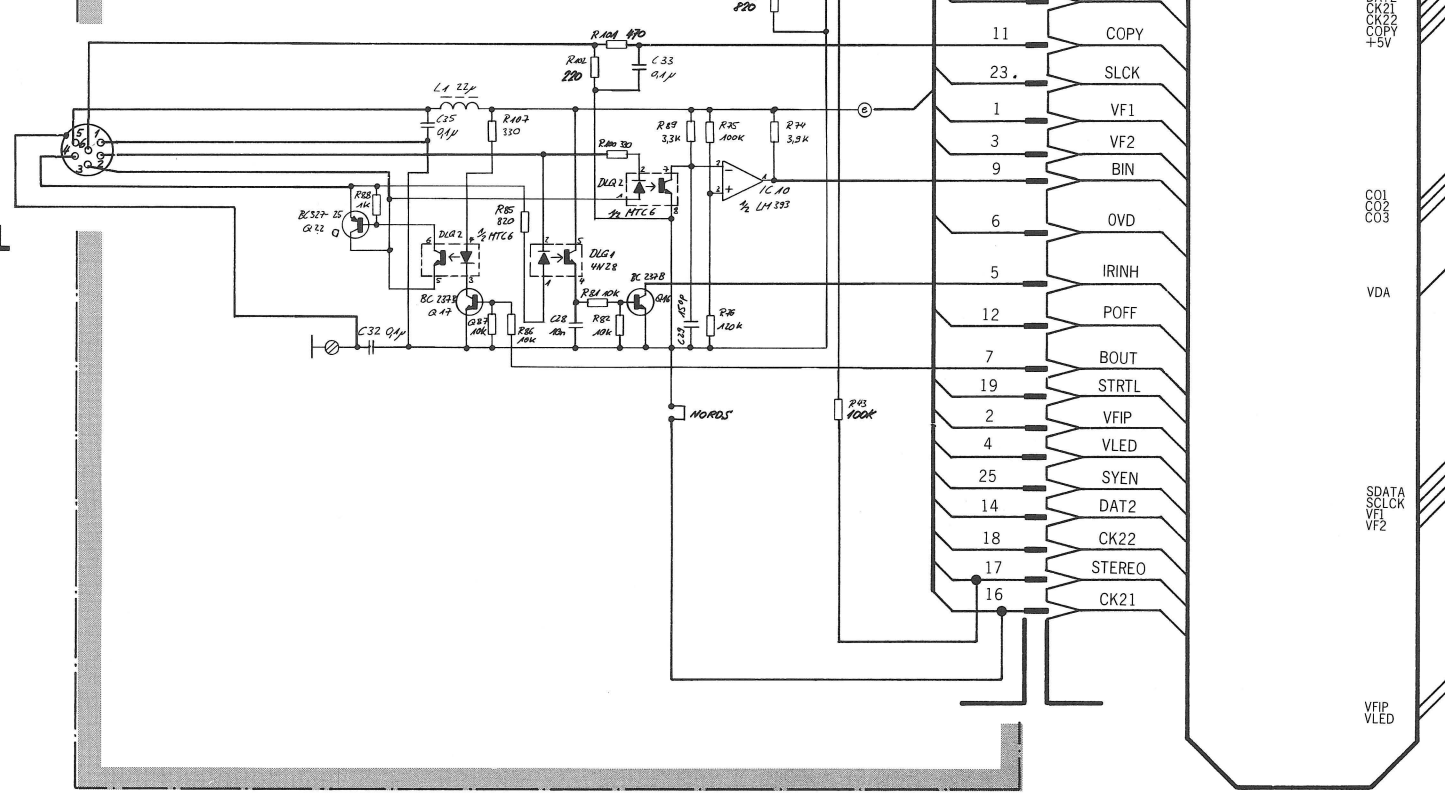
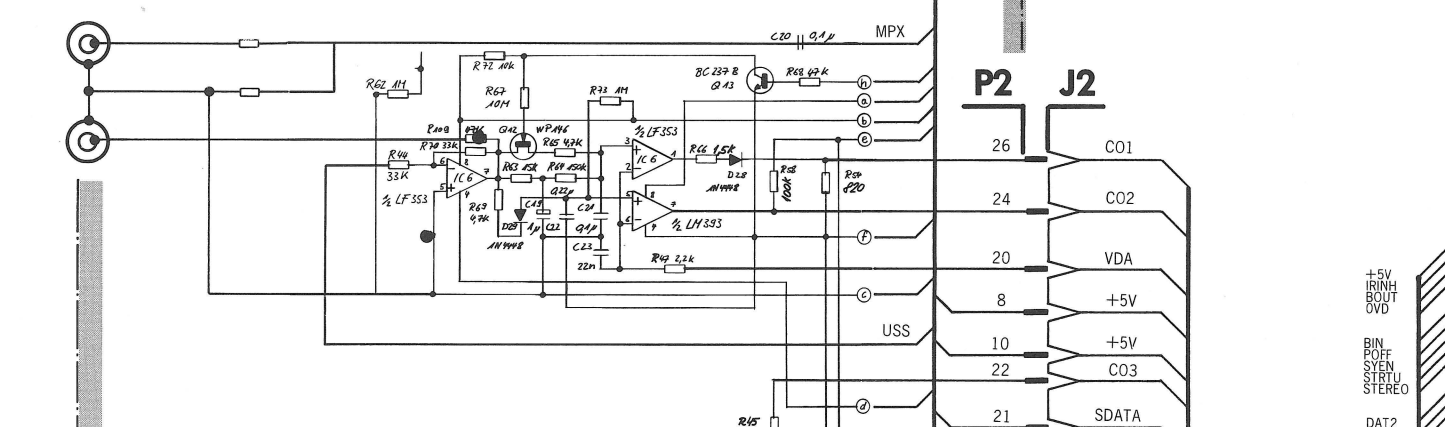
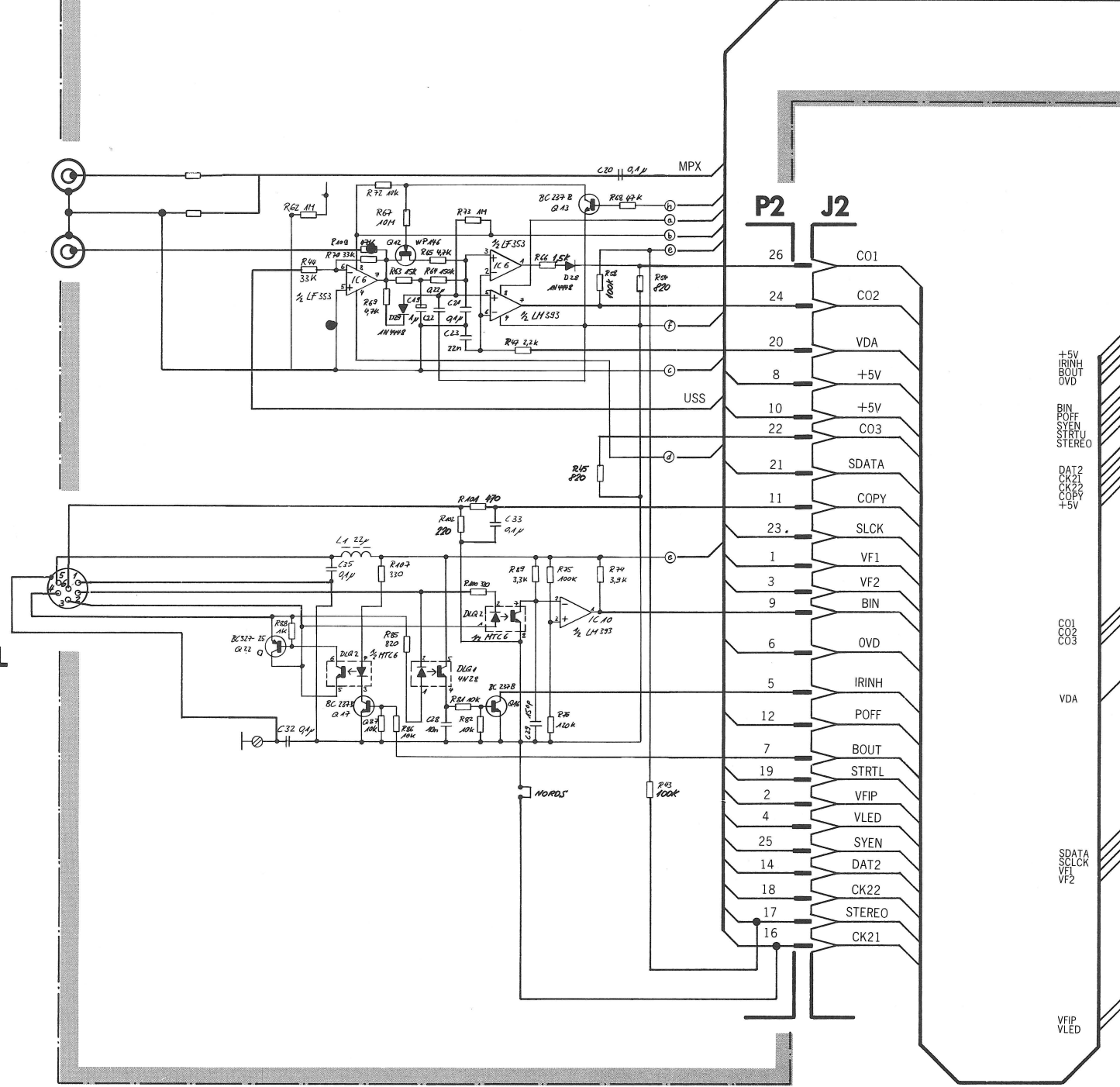
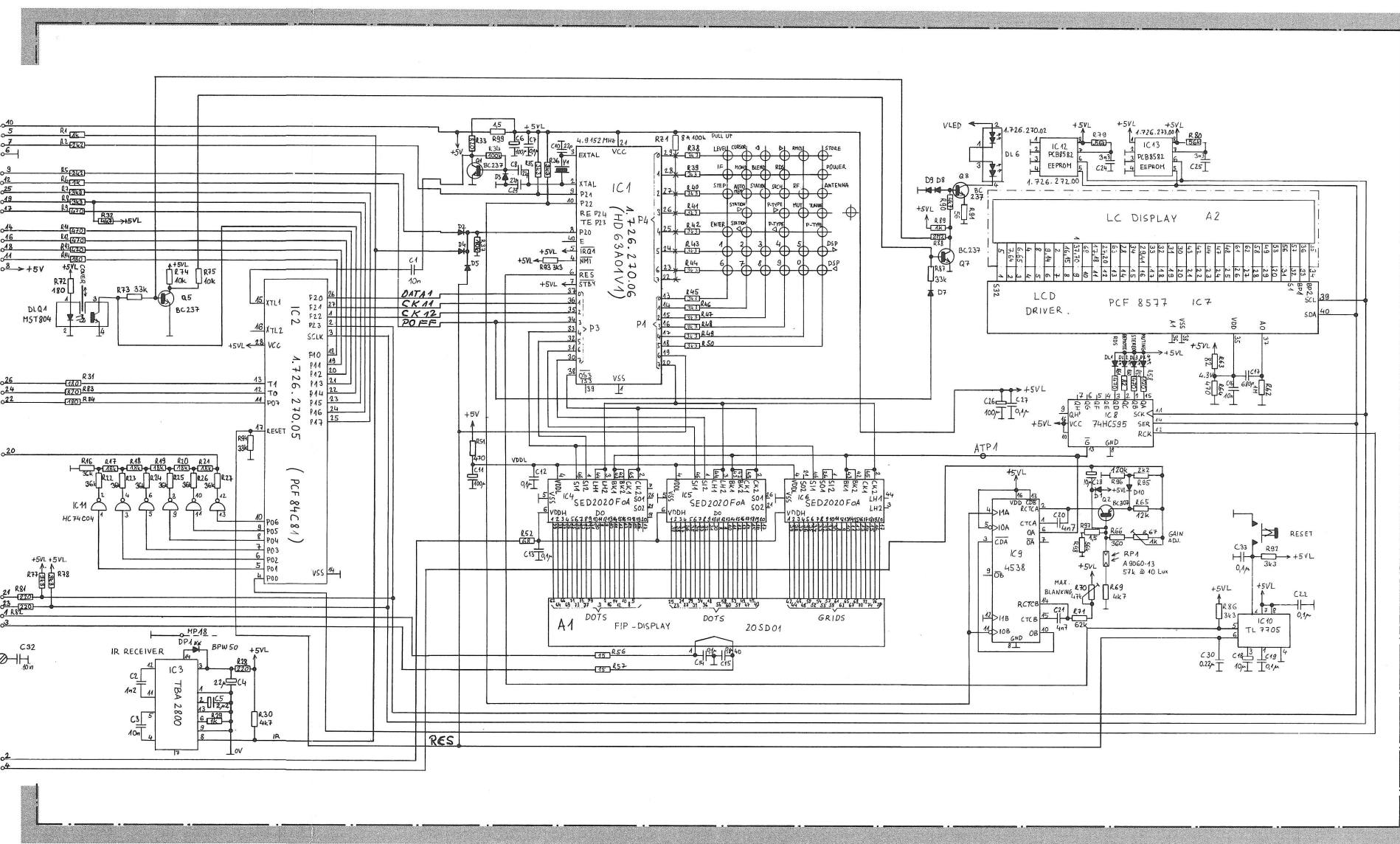
TO J3 TUNER UNIT

USED ONLY FOR RDS OPTION

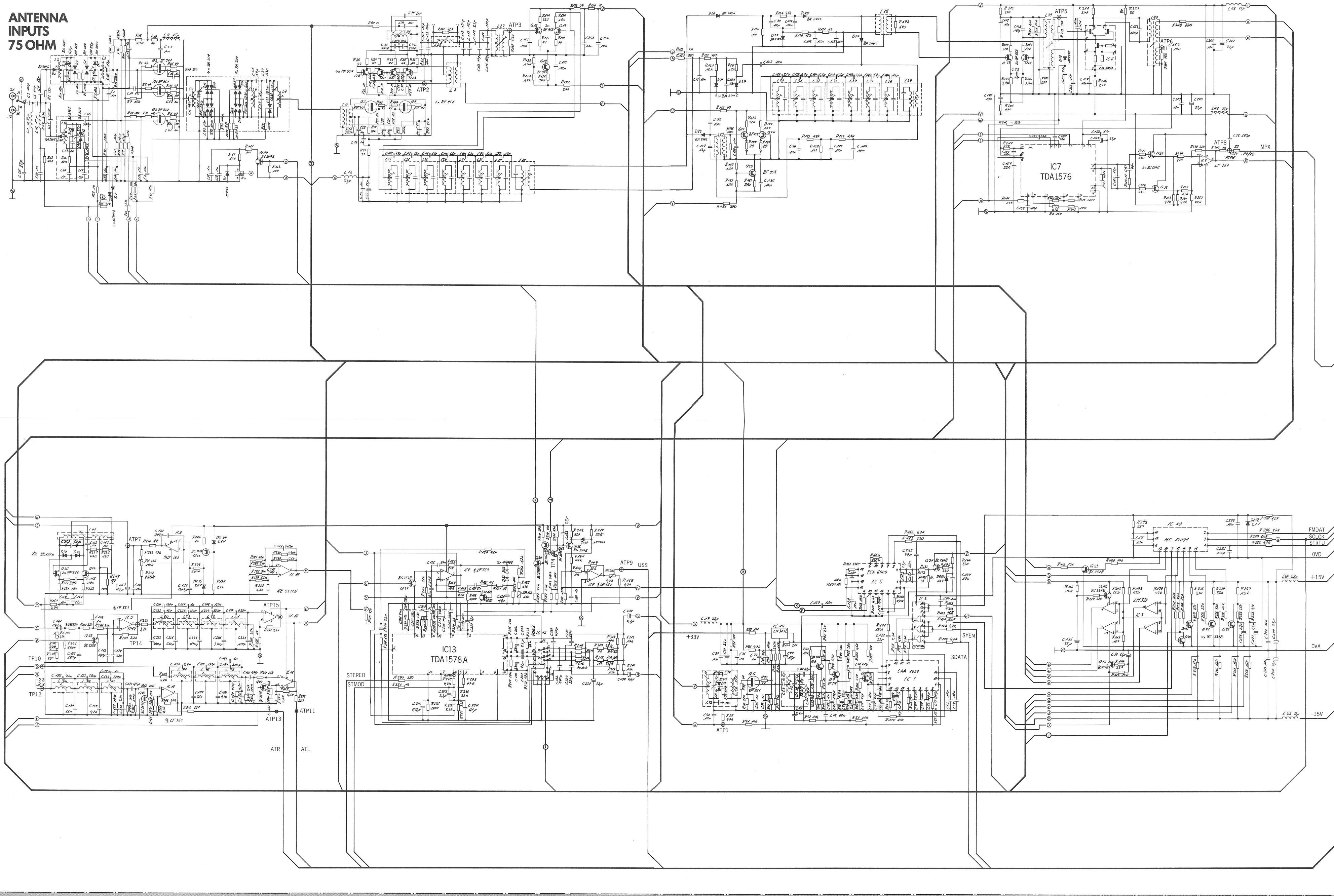
V  
SCOPE OUTPUTS  
H

SERIAL LINK CONTROL

MICROCOMPUTER BOARD 1.726.270.00



ANTENNA INPUTS 75 OHM



- J3**
- 16 ATR
  - 15 USS
  - 14 ATL
  - 13 STMOD
  - 12 MPX
  - 11 STEREO
  - 10 OVD
  - 9 FMDAT
  - 8 OVA
  - 7 STRTU
  - 6 +15V
  - 5 SCLCK
  - 4 -15V
  - 3 SDATA
  - 2 +33V
  - 1 SYEN

TO P3 POWER SUPPLY UNIT